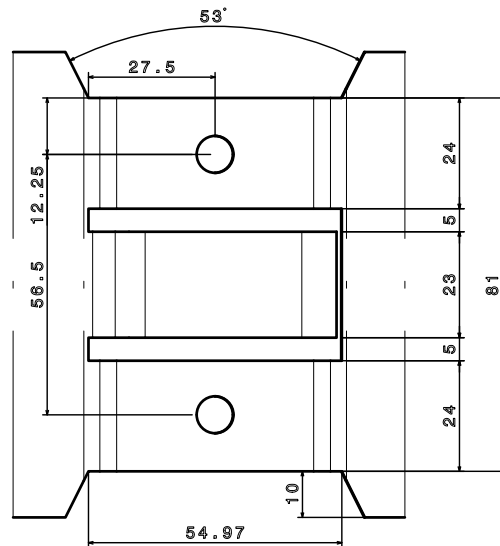
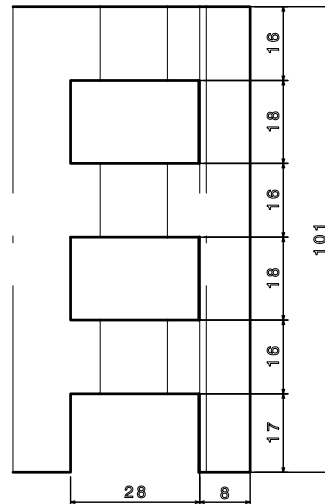


Unfolded view



Detail B  
Scale: 2:1



Detail A  
Scale: 2:1

Finish :		Material :	Weight :	Tolerances not specified to be per ISO 2768partand2 For machined dimenstons "medium "non machined dimensions "coarse"	
		St37	0.91 Kg		
Des .by.	Date	Name	Project Name:		
94/01/30	94/01/30	KTK			
Dra .by.	Date	Name	Ass. Name:		
94/06/31	94/06/31	S.H.Hashemi			
App .by.	Date	Sign:	Centralizer Bow Type 9 5/8" T12 1/4" Well Bore		
98/11/19	98/11/19	HOSSEINI			
Scale :dwg	View E	Description:	A4 SHH 01	Ass.No:	SHEET
Fit		Plate Collar CBT 9 5/8 "	Draw.No:	1227-001132-0000	1 of 1
			1227-001132-2100	INDEX 001	



IRAN-ARAK

Surface	Paint IdNo.	Paint Type	Color shade	Dry thk .Film 0.001 (mm )	Interpass time (hr )	Remark
***Painting Instruction ***						